

# Reel Product News

## New Spray Non-Corrosive (SNC) Series Reels



Hannay's new **Spray Non-Corrosive (SNC) Series** reels, constructed primarily of 304-grade stainless steel, are designed specifically for lawn care, agriculture, horticulture, pest control and other spray-related industries.

Competitively priced and comparable in weight to aluminum construction, the SNC series provides a significant advantage in strength and protection in corrosive environments. These reels are designed to handle a variety of applications, including water, pesticides and fertilizer mixes.

Available in both crank and electric-powered rewind, other options include 4-way roller guides, as well as 304 SST constructed stacking kits for up to two reels maximum.



*See reverse for features, capacities and reel dimensions.*

# Reel Product News

## Standard Features:

### To handle single 3/8" through 5/8" I.D. hose.

- Lightweight, low-profile reels designed for hose lengths up to 500 ft.
- Primarily 304 SST construction, including discs, axle hub, and welded frame.
- Non-SST components: Drum (Aluminum), Swivel Joint and Bearings (Plated).
- Manual (direct crank) reels include both pin lock and 3-position cam-lock drag brake.
- Electric rewind reels (denoted by letter 'E' at end of model) feature plated chain/sprocket drive with guard.
- Standard inlet: 90° full-flow swivel, 1/2" FNPT threads. Standard outlet: 1/2" FNPT threads.
- Standard pressure rated to 3000 psi (207 bar). Standard fluid temperatures from +32° F to +400 °F (0° C to +204° C).
- Consult factory for other pressures and temperatures.

## Options:

- 304 SST stackable frame for up to two reels maximum\*.
- SST rollers and roller mounting brackets.
- Drum, swivel joint and bearings all upgradeable to SST.
- Power rewind reels: available in 12 or 24VDC, as well as 115VAC.

**\*Note:** Up to two reels can be stacked in any combination, allowing for different applications and power rewind preference. Triple-stacking reels by mounting two stacking kits together is not supported and will void all warranties.

### Model SNC-18 ▶

manual rewind reel with optional rollers



### ◀ Model SNC-18E

Electric Rewind (E) (hose not included)



### Model SNC-18 ▶

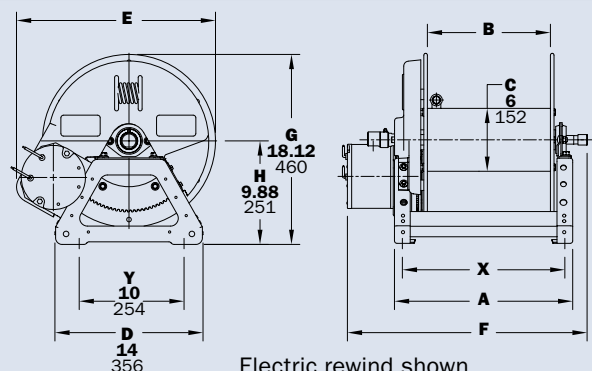
two manual rewind reels shown with optional stacking frame and rollers

Model Number	Hose Capacity of Reel feet m				Approx. Weight lb. kg			Reel Dimensions*** in. mm				
	I.D. in. mm	3/8 10	1/2 13	5/8 16	NET	UPS/FedEx SHIP Wt.	Freight SHIP Wt.	A	B	E	F	X
	O.D. in. mm	.65 17	.81 21	1 25								
SNC-12	300	200	125	29	80*	64	17	12	17.5	25.62	15.5	
	84	53	38	13	36	29	432	305	445	651	394	
SNC-18	400	300	200	31	98*	66	23	18	17.5	31.62	21.5	
	122	91	61	14	45	30	584	457	445	803	546	
SNC-22	500	400	275	33	110*	68	27	22	17.5	35.62	25.5	
	152	114	84	15	50	31	686	559	445	905	648	
SNC-12E	300	200	125	47	80*	82	17	12	19	23	15.5	
	84	53	38	21	36	37	432	305	483	584	394	
SNC-18E	400	300	200	49	98*	84	23	18	19	29	21.5	
	122	91	61	22	45	38	584	457	483	737	546	
SNC-22E	500	400	275	51	110*	86	27	22	19	33	25.5	
	152	114	84	23	50	39	686	559	483	838	648	

### Notes:

1. Specifications subject to change.
2. Other models available than those shown.
3. Dimension "F" is the overall length of standard model reels.
4. Electric rewind reels indicated with 'E' in model suffix (example - SNC-12E).
5. Be sure to check dimensions and weights prior to ordering.

**NOTICE:** A flexible connector must be used between the inlet pipe and the inlet swivel joint.  
 \* Dimensional weight applies when shipped as a parcel package (via FedEx or UPS Ground).  
 \*\*\* X, Y indicate mounting holes.



Electric rewind shown